

# Non-Spring Return Smoke Control Actuator BE24(-12)(-ST)



- Actuator for smoke control in HVAC systems
- Torque: 40Nm
- Nominal voltage: AC/DC 24V
- Control: Open/Close
- Manual override function

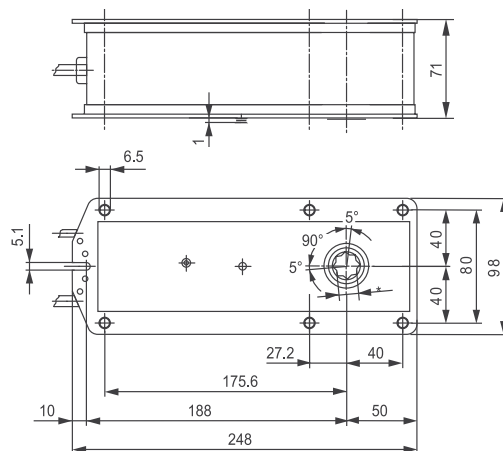


## Technical data

<b>Electrical data</b>	Nominal voltage	AC 24V 50/60Hz, DC 24V	
	Nominal voltage range	AC 19.2...28.8V / DC 21.6...28.8V	
	Power consumption	12W @ running / 0.5W @ holding	
	For transformer sizing	18VA (I <sub>max</sub> 8.2mA @ 5ms)	
	Auxiliary switch	2 SPDT, 1mA...6A, DC 5V...AC 250V □	
	-Switching points	3°↙, 87°↙ (referred to 0...90°↙)	
<b>Functional data</b>	Connection	-Motor -Auxiliary Switch	
		1m, 3 x 0.75mm <sup>2</sup> (halogen-free) 1m, 6 x 0.75mm <sup>2</sup> (halogen-free) (.-ST with plug connectors, suitable for BKN230-24)	
	Torque	40Nm @ nominal voltage	
	Blocking torque	-Dynamic -Steady-state	
		40Nm 50Nm	
	Direction of rotation	Selectable by L/R installation	
	Angle of rotation	100° (incl. 5° mechanical overrun at the ends)	
	Running time	<60s for 90°	
	Sound power level	Max. 62dB(A)	
	<b>Safety</b>	Protection class	III (safety extra-low voltage)
		Degree of protection	IP54
		EMC	CE according to 2004/108/EC
Mode of operation		Type 1.B	
Ambient temperature		-Normal Duty -Safety Duty	
		-30...+50°C See safety function on page 42	
<b>Dimensions / weight</b>	Storage temperature	-40...+80°C	
	Humidity test	5...95% RH, non-condensing	
	Maintenance	Maintenance-free	
	Dimensions (L x M x H)	248 x 98 x 71mm	
	Shaft diameter	-BE24(-ST) -BE24-12(-ST)	
		Form-fit 14 x 14mm Form-fit 12 x 12mm	
Weight	Approx. 2.7kg		

## Dimensions [mm]

Type	Damper driver
BE24	Form-fit 14.2mm
BE24-12	Form-fit 12.2mm



- Actuator for smoke control in HVAC systems
- Torque: 40Nm
- Nominal voltage: AC 230V
- Control: Open/Close
- Manual override function

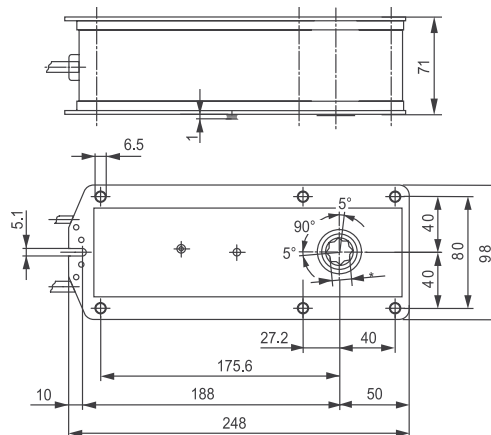


### Technical data

<b>Electrical data</b>	Nominal voltage	AC 230V 50/60Hz	
	Nominal voltage range	AC 198...264V	
	Power consumption	8W @ running / 0.5W @ holding	
	For transformer sizing	15VA (I <sub>max</sub> 7.9mA @ 5ms)	
	Auxiliary switch	2 SPDT, 1mA...6A, DC 5V...AC 250V <input type="checkbox"/>	
	-Switching points	3°<math>\leq</math>, 87°<math>\leq</math> (referred to 0...90°<math>\leq</math>)	
	Connection	-Motor 1m, 3 x 0.75mm <sup>2</sup> (halogen-free)	
		-Auxiliary Switch 1m, 6 x 0.75mm <sup>2</sup> (halogen-free)	
	<b>Functional data</b>	Torque	40Nm @ nominal voltage
		Blocking torque	-Dynamic 40Nm
		-Steady-state 50Nm	
Direction of rotation		Selectable by L/R installation	
Angle of rotation		Max. 100° (incl. 5° mechanical overrun on each side)	
Running time		<math>< 60</math>s for 90°	
Sound power level		Max. 62dB(A)	
Position indication		Mechanical with pointer	
Service life		>10,000 cycles	
<b>Safety</b>		Protection class	II (all insulated) <input type="checkbox"/>
	Degree of protection	IP54	
	EMC	CE according to 2004/108/EC	
	Low-voltage directive	CE according to 2006/95/EC	
	Mode of operation	Type 1.B	
	Ambient temperature	-Normal Duty -30...+50°C	
		-Safety Duty See safety function on page 42	
	Storage temperature	-40...+80°C	
	Humidity test	95% RH, non-condensing	
	Maintenance	Maintenance-free	
<b>Dimensions / weight</b>	Dimensions (L x M x H)	248 x 98 x 71mm	
	Shaft diameter	-BE230 Form-fit 14 x 14mm	
		-BE230-12 Form-fit 12 x 12mm	
	Weight	Approx. 2.7kg	

### Dimensions [mm]

* Type	Damper driver
BE230	Form-fit 14.2mm
BE230-12	Form-fit 12.2mm



**Wiring diagram: B..E../BR.. series Non-Spring Return Open/Close Actuators**

**Notes:**

- Parallel connection of several actuators is possible.
- Power consumption and switching thresholds must be observed.

